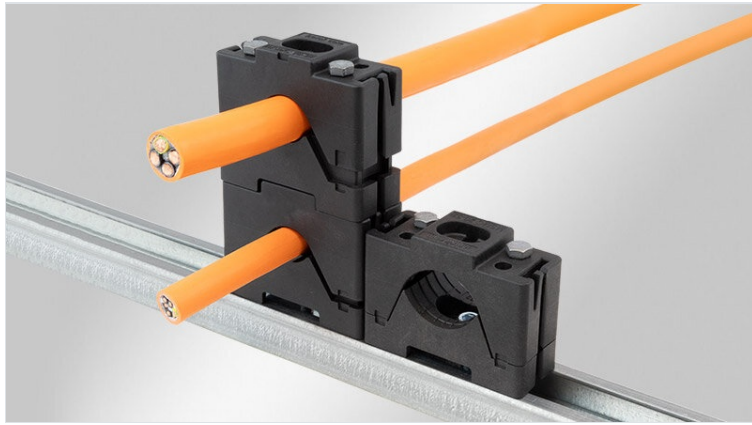


MSMC | 10 - 55 mm

10 - 55 mm



MSMC는 10 - 55 mm 케이블을 위한 터미널 블록입니다. 케이블은 16mm 이하의 굵기를 가지며, 케이블은 10 - 55 mm 범위에서 선택할 수 있습니다. CMC30 터미널 블록은 케이블을 10 - 55 mm 범위에서 선택할 수 있습니다. MSI 터미널 블록은 10 - 55 mm 범위에서 선택할 수 있습니다.

MSMC는 UL94-V0, -40°C to 140°C, UV-보호, RoHS, REACH, Made in Germany, ECOLAB certified, IK07, NFPA 130 STANDARD, HL3 EN 45545-2, EN 61373, ISO 4892-2A를 준수합니다.

MSMC는 A, B, C, D, E, F, G, H, I, J, K, L, M, N, O, P, Q, R, S, T, U, V, W, X, Y, Z, AA, AB, AC, AD, AE, AF, AG, AH, AI, AJ, AK, AL, AM, AN, AO, AP, AQ, AR, AS, AT, AU, AV, AW, AX, AY, AZ, BA, BB, BC, BD, BE, BF, BG, BH, BI, BJ, BK, BL, BM, BN, BO, BP, BQ, BR, BS, BT, BU, BV, BW, BX, BY, BZ, CA, CB, CC, CD, CE, CF, CG, CH, CI, CJ, CK, CL, CM, CN, CO, CP, CQ, CR, CS, CT, CU, CV, CW, CX, CY, CZ, DA, DB, DC, DD, DE, DF, DG, DH, DI, DJ, DK, DL, DM, DN, DO, DP, DQ, DR, DS, DT, DU, DV, DW, DX, DY, DZ, EA, EB, EC, ED, EE, EF, EG, EH, EI, EJ, EK, EL, EM, EN, EO, EP, EQ, ER, ES, ET, EU, EV, EW, EX, EY, EZ, FA, FB, FC, FD, FE, FF, FG, FH, FI, FJ, FK, FL, FM, FN, FO, FP, FQ, FR, FS, FT, FU, FV, FW, FX, FY, FZ, GA, GB, GC, GD, GE, GF, GG, GH, GI, GJ, GK, GL, GM, GN, GO, GP, GQ, GR, GS, GT, GU, GV, GW, GX, GY, GZ, HA, HB, HC, HD, HE, HF, HG, HH, HI, HJ, HK, HL, HM, HN, HO, HP, HQ, HR, HS, HT, HU, HV, HW, HX, HY, HZ, IA, IB, IC, ID, IE, IF, IG, IH, II, IJ, IK, IL, IM, IN, IO, IP, IQ, IR, IS, IT, IU, IV, IW, IX, IY, IZ, JA, JB, JC, JD, JE, JF, JG, JH, JI, JJ, JK, JL, JM, JN, JO, JP, JQ, JR, JS, JT, JU, JV, JW, JX, JY, JZ, KA, KB, KC, KD, KE, KF, KG, KH, KI, KJ, KK, KL, KM, KN, KO, KP, KQ, KR, KS, KT, KU, KV, KW, KX, KY, KZ, LA, LB, LC, LD, LE, LF, LG, LH, LI, LJ, LK, LL, LM, LN, LO, LP, LQ, LR, LS, LT, LU, LV, LW, LX, LY, LZ, MA, MB, MC, MD, ME, MF, MG, MH, MI, MJ, MK, ML, MM, MN, MO, MP, MQ, MR, MS, MT, MU, MV, MW, MX, MY, MZ, NA, NB, NC, ND, NE, NF, NG, NH, NI, NJ, NK, NL, NM, NN, NO, NP, NQ, NR, NS, NT, NU, NV, NW, NX, NY, NZ, OA, OB, OC, OD, OE, OF, OG, OH, OI, OJ, OK, OL, OM, ON, OO, OP, OQ, OR, OS, OT, OU, OV, OW, OX, OY, OZ, PA, PB, PC, PD, PE, PF, PG, PH, PI, PJ, PK, PL, PM, PN, PO, PP, PQ, PR, PS, PT, PU, PV, PW, PX, PY, PZ, QA, QB, QC, QD, QE, QF, QG, QH, QI, QJ, QK, QL, QM, QN, QO, QP, QQ, QR, QS, QT, QU, QV, QW, QX, QY, QZ, RA, RB, RC, RD, RE, RF, RG, RH, RI, RJ, RK, RL, RM, RN, RO, RP, RQ, RR, RS, RT, RU, RV, RW, RX, RY, RZ, SA, SB, SC, SD, SE, SF, SG, SH, SI, SJ, SK, SL, SM, SN, SO, SP, SQ, SR, SS, ST, SU, SV, SW, SX, SY, SZ, TA, TB, TC, TD, TE, TF, TG, TH, TI, TJ, TK, TL, TM, TN, TO, TP, TQ, TR, TS, TT, TU, TV, TW, TX, TY, TZ, UA, UB, UC, UD, UE, UF, UG, UH, UI, UJ, UK, UL, UM, UN, UO, UP, UQ, UR, US, UT, UY, UZ, VA, VB, VC, VD, VE, VF, VG, VH, VI, VJ, VK, VL, VM, VN, VO, VP, VQ, VR, VS, VT, VU, VV, VW, VX, VY, VZ, WA, WB, WC, WD, WE, WF, WG, WH, WI, WJ, WK, WL, WM, WN, WO, WP, WQ, WR, WS, WT, WU, WV, WW, WX, WY, WZ, XA, XB, XC, XD, XE, XF, XG, XH, XI, XJ, XK, XL, XM, XN, XO, XP, XQ, XR, XS, XT, XU, XV, XW, XX, XY, XZ, YA, YB, YC, YD, YE, YF, YG, YH, YI, YJ, YK, YL, YM, YN, YO, YP, YQ, YR, YS, YT, YU, YV, YW, YX, YY, YZ, ZA, ZB, ZC, ZD, ZE, ZF, ZG, ZH, ZI, ZJ, ZK, ZL, ZM, ZN, ZO, ZP, ZQ, ZR, ZS, ZT, ZU, ZV, ZW, ZX, ZY, ZZ.

MSMC는 35 mm / 40 mm C 케이블을 위한 터미널 블록입니다.

* IEC 61914: Testing for short-circuit strength in preparation

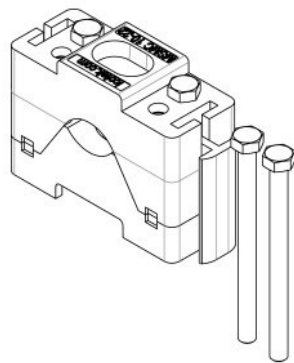
특징

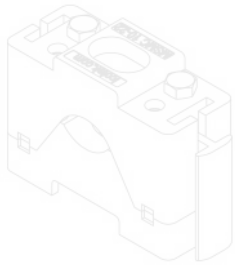
- 10 - 55 mm 케이블을 위한 터미널 블록
- 케이블은 16mm 이하의 굵기를 가지며, 케이블은 10 - 55 mm 범위에서 선택할 수 있습니다.
- UL94-V0, -40°C to 140°C, UV-보호, RoHS, REACH, Made in Germany, ECOLAB certified, IK07, NFPA 130 STANDARD, HL3 EN 45545-2, EN 61373, ISO 4892-2A를 준수합니다.
- 35 mm / 40 mm C 케이블을 위한 터미널 블록
- 200V 이하의 전압을 견딜 수 있습니다.
- 터미널 블록은 케이블을 10 - 55 mm 범위에서 선택할 수 있습니다.
- 터미널 블록

기술 사양

| | |
|-------------------|-------------------------|
| IEC 61914* | UL94-V0, -40°C to 140°C |
| NFPA 130 STANDARD | UV-보호 |
| HL3 EN 45545-2 | RoHS compliant |
| EN 61373 | REACH COMPLIANCE |
| UV ISO 4892-2A | Made in Germany |
| ECOLAB certified | |
| IK07 | |

| | | |
|-----|------------------------------|--------------------------|
| EAN | 32400 4251269335860 | 5,2 mm 1 x 10 - 22 mm |
| | 5 64 mm 26 mm 47 mm | |
| 수량 | 1 | |





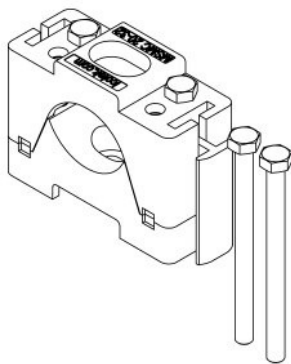
EAN

32401
4251269335877
5
64 mm
26 mm
47 mm
1

□□ □□
□□ □□ □

5,2 mm
1 x 10 - 22 mm

□□ □□



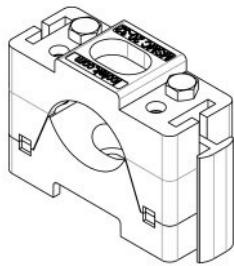
EAN

32410
4251269335884
5
64 mm
26 mm
47 mm
1

□□ □□
□□ □□ □

5,2 mm
1 x 20 - 32 mm

□□ □□



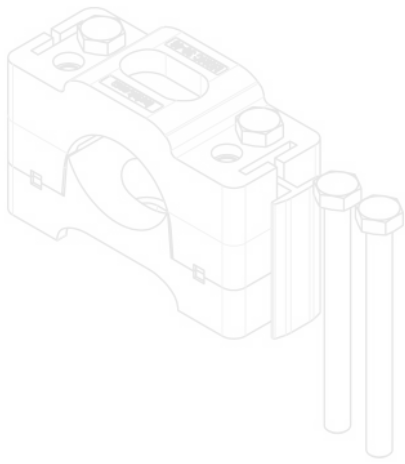
EAN

32411
4251269335891
5
64 mm
26 mm
47 mm
1

□□ □□
□□ □□ □

5,2 mm
1 x 20 - 32 mm

□□ □□



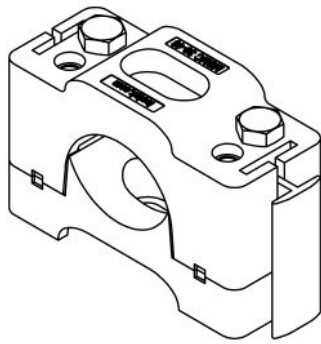
EAN

32420
4251269334665
5
100 mm
40 mm
64,5 mm
1

□□ □□
□□ □□ □

8,2 mm
1 x 30 - 46 mm

□□ □□



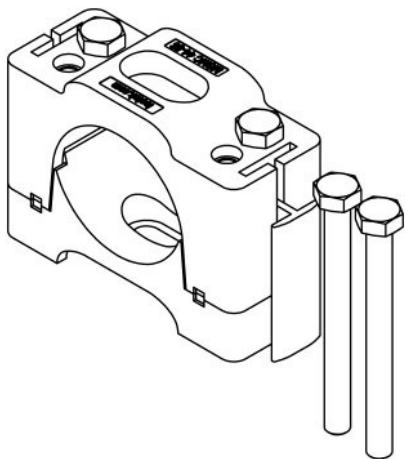
EAN

32421
4251269334672
5
100 mm
40 mm
64,5 mm
1

□□ □□
□□ □□ □

8,2 mm
1 x 30 - 46 mm

□□ □□



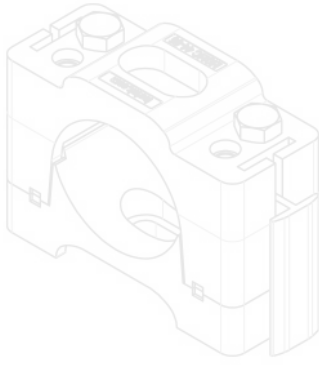
EAN

32430
4251269334689
5
100 mm
40 mm
72,5 mm
1

□□ □□
□□ □□ □

8,2 mm
1 x 44 - 55 mm

□□ □□



EAN

32431
4251269334696
5
100 mm
40 mm
72,5 mm
1

□□ □□
□□ □□ □

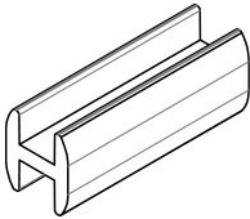
8,2 mm
1 x 44 - 55 mm

□□ □□

EAN

32598
4251269335914
10
MSMC 10-22 /
MSMC 20-32
12 mm
13,4 mm
35 mm

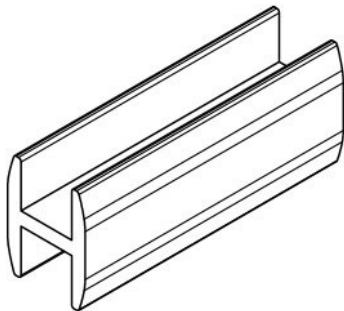
□□ □□:

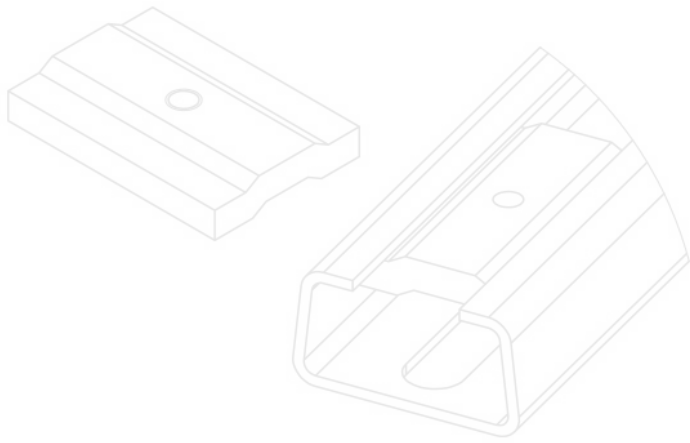


EAN

32599
4251269334702
10
MSMC 30-46 /
MSMC 44-55
15 mm
20 mm
50 mm

□□ □□:





EAN

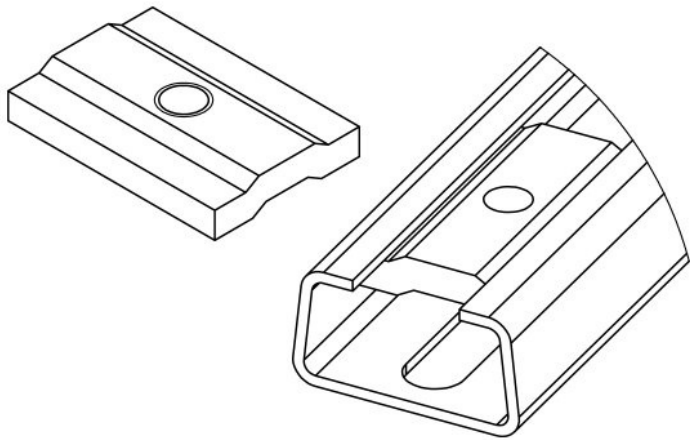
32596
4251269335907
5

□ □ □

1
M5 × 0,5

□ □ □:

MSMC 10-22 /
MSMC 20-32
40 mm
28 mm
5 mm



EAN

32597
4251269335921
5

□ □ □

1
M8 × 0,5

□ □ □:

MSMC 30-46 /
MSMC 44-55
40 mm
28 mm
5 mm